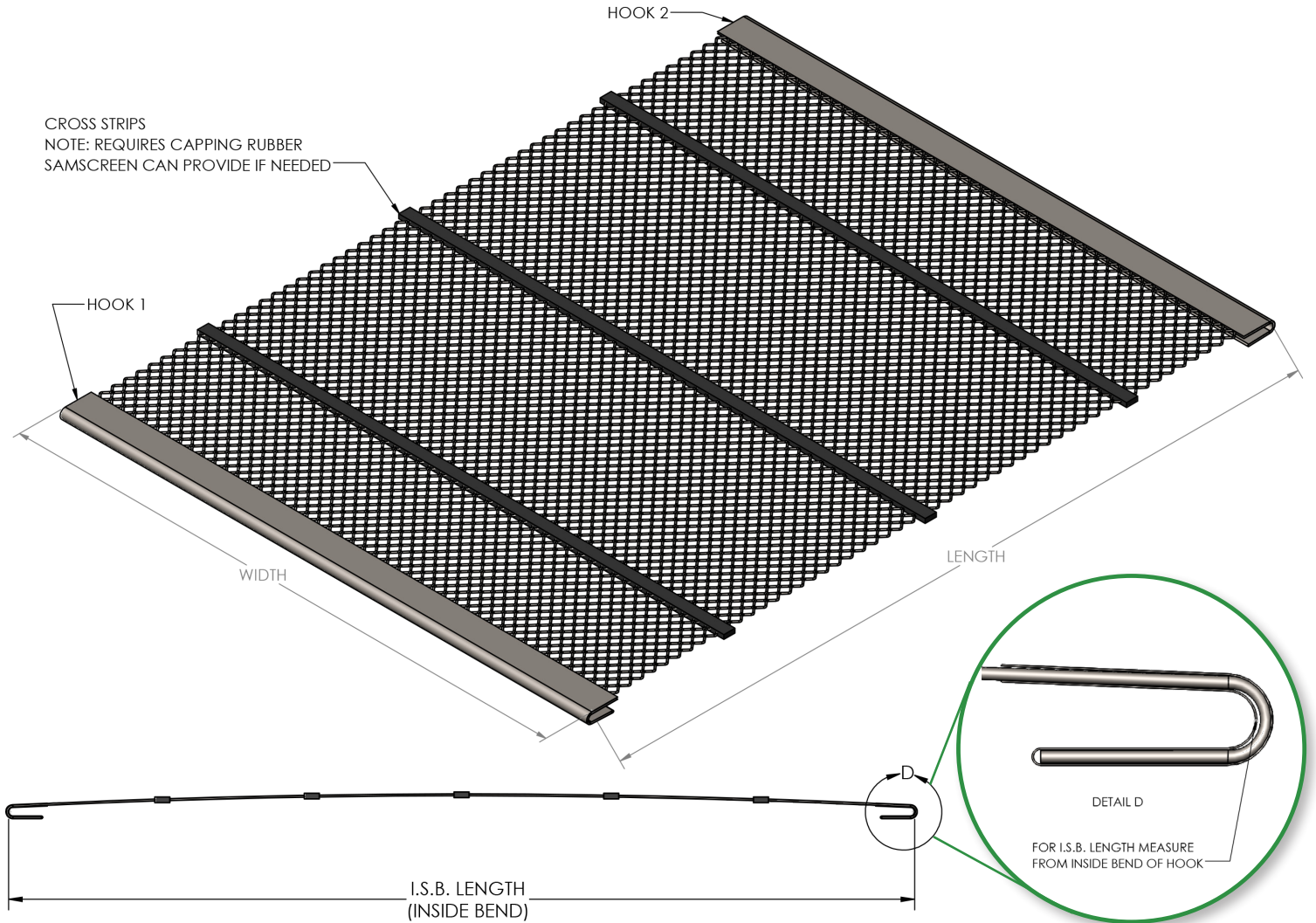


END-TENSION - SCREEN MEASUREMENT GUIDELINES

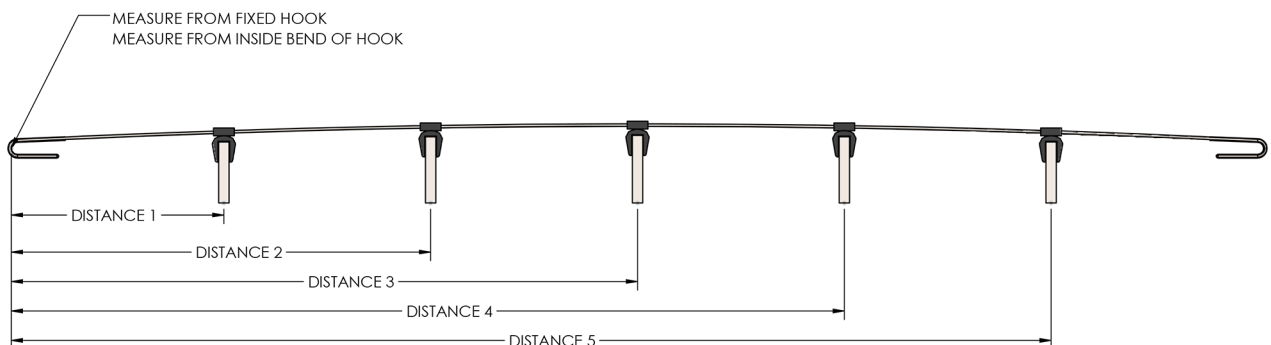
Measuring Overall Length & Width

Length: Measure the overall length of your end-tension screen from the inside bend of Hook 1 to the inside bend of Hook 2.

Width: Measure the width of the screen by measuring the overall width of one Hook.



Measuring Crown Bar Locations

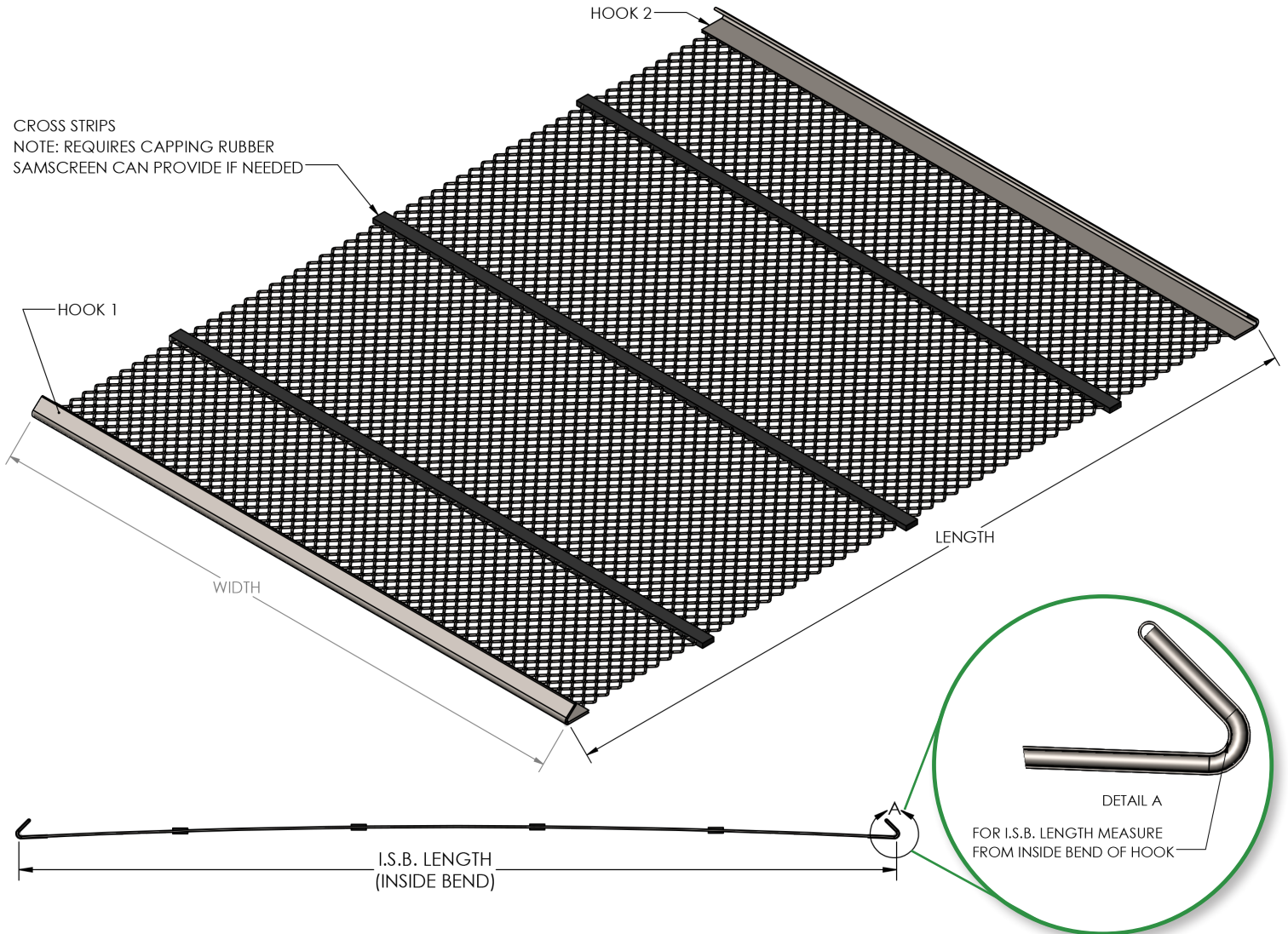


SIDE-TENSION - SCREEN MEASUREMENT GUIDELINES

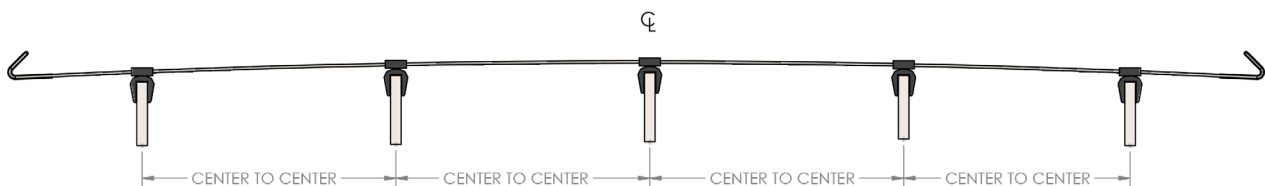
Measuring Overall Length & Width

Length: Measure the overall length of your end-tension screen from the inside bend of Hook 1 to the inside bend of Hook 2.

Width: Measure the width of the screen by measuring the overall width of one Hook.

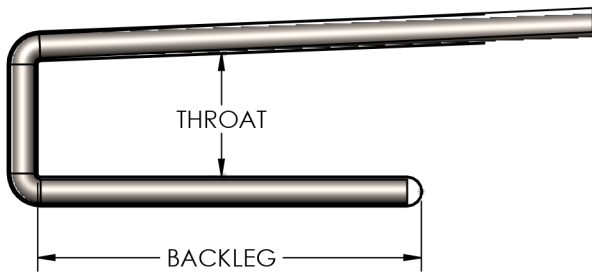


Measuring Crown Bar Locations

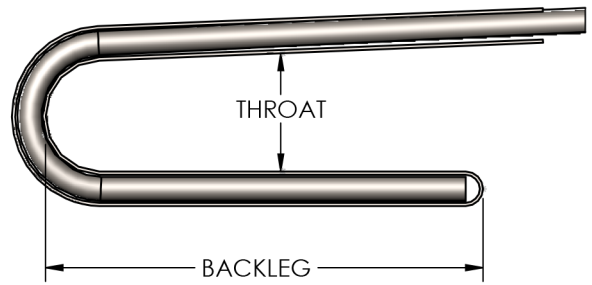


HOOK MEASUREMENT GUIDELINES

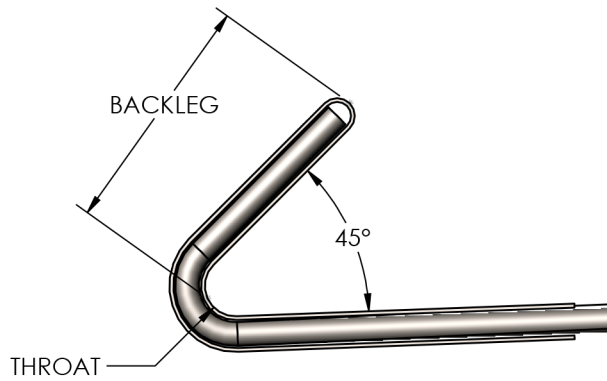
SQUARE-HOOK



U-HOOK

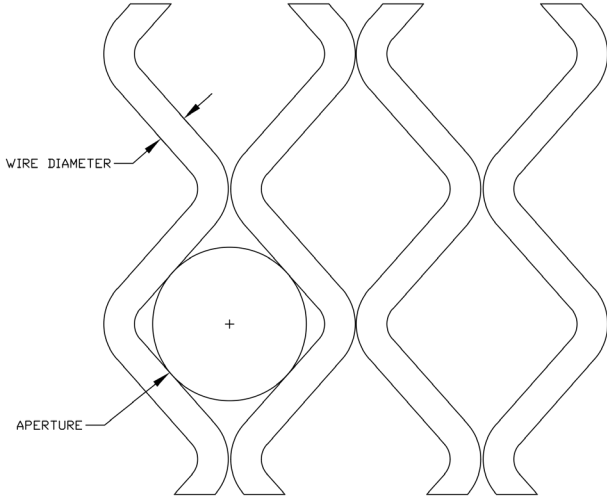


45 DEGREE HOOK

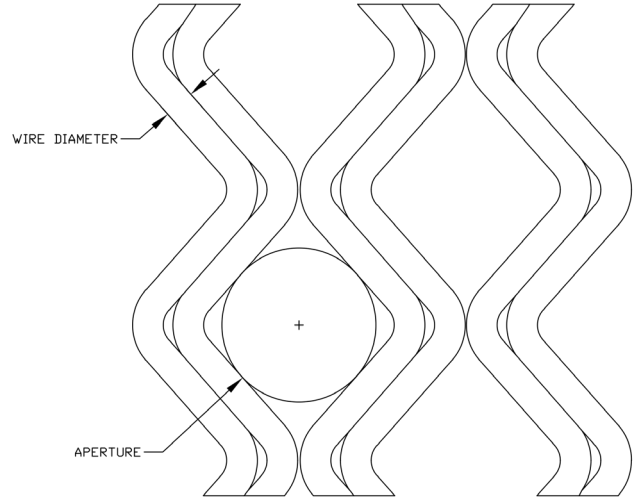


WIRE & APERTURE MEASUREMENT GUIDELINES

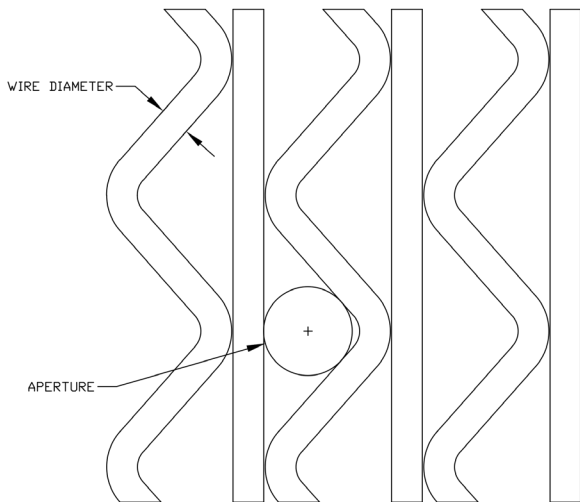
Kleen-D



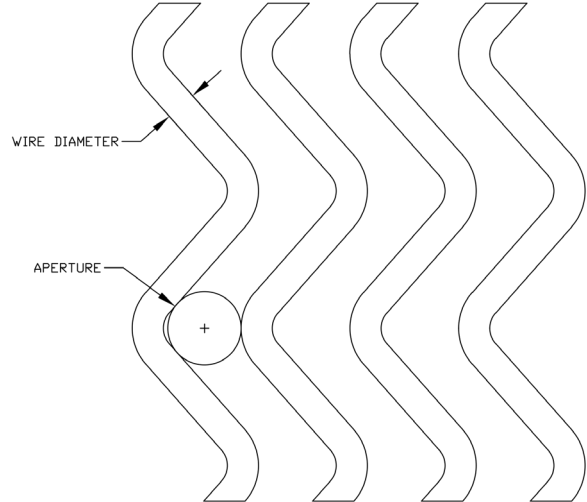
Kleen-DD



Kleen-V



Kleen-S



Kleen-P & Kleen W

